

Atmos® HP G4A - diaphragm gas meter

Two-pipe Diaphragm gas meter HP G4A



Center distance 110mm

Solid build, extreme accuracy, advanced safety features and a series of technological details set the stage in making the Atmos® diaphragm gas meter a high-grade, must-in measuring instrumentation for your utility. This meter is characterized by its constant measuring stability, long-life durability and long-term accuracy. Thanks to the use of space-age materials, this meter's resistant to corrosion will provide your utility with a metering future maximizing longevity and profitability.

The Atmos gas meter is suitable for use with a multiple forms of common gas media. Its integrated calibration system coordinates the movement of its valves in relation to the optimize gas flows & accuracy. With industry leading linearity of the error curve, The Atmos HP G4A can be counted on to guarantee low-flow reliability. With unique optimization rotational characteristics utilized within its valves, the Atmos meter's Q-min values remain stable while keeping the meter free of contaminants. The meter enables precise measurements of flow from 1.41CFH to 212CFH, 198CFH (5.6m³/h) at 1/2-inch w.c. differential.

The Atmos® diaphragm gas meter meets the requirements of the NTEP (National Type Evaluation Program), EN1359:1998/A1:2006 and OIML R137-1 (2012) standards.

Sizes:

HP G4A : 1.41 CFH to 212 CFH

Gas Media:

- Natural gas
- Town gas
- Biogas
- Liquid gas
- Methane gas

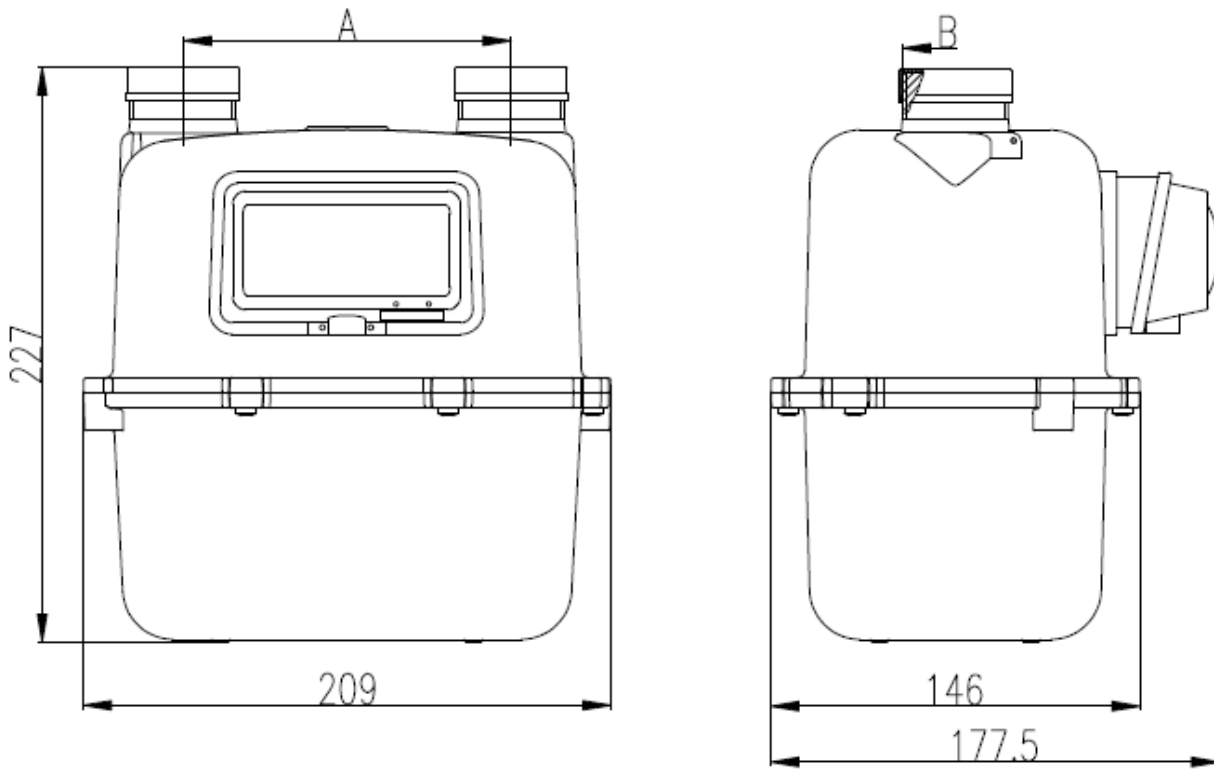
Housing material:

Die-cast aluminum

Performance characteristics

- Compact design with 3/4NPT connections
- Integrated system adjusted error curves
- Cast aluminum housing for life-long resistance to corrosion
- Nominal cyclical volume of 1.2dm³
- Starting flow < 0.035 CFH
- Working temperature range from -13 °F to +131°F
- Maximum Operating Pressure: 7.25 PSIG
- Long-term, stable, high-quality diaphragms
- Pulse output: 1CFH/pulse
- Optional: reverse flow preventer

HP G4A Diaphragm Gas Meter
 Weight= 2.2Kg



Dimensions Diaphragm gas meter Atmos® HP G4A

A	90 ± 0.50	110 ± 0.50	130 ± 0.50			
B	M30 x 2 - 6g	G ³ / ₄ B	G7/8B	NPT3/4"	G1B	G1 ¹ / ₄ B