



Minomess 130 with Reed Switch for Cold Water

Advantages:

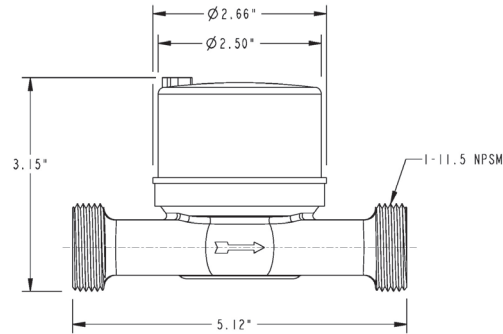
- Cost-effective
- Compact size
- For cold water applications
- Single-jet
- Easy Installation-As easy as installing a spacer during rough in.
- Polymer meter body
- 1-year limited warranty
- Lifetime warranty for Minol billing clients
- Pulse output
- 7 digit odometer
- ANSI/NSF 61 Certified
- Polycarbonate lens resists scratching

Options:

- Meter couplings - 2 required per meter
- Meter spacer pipe - (length 5.12 in.)

Installation:

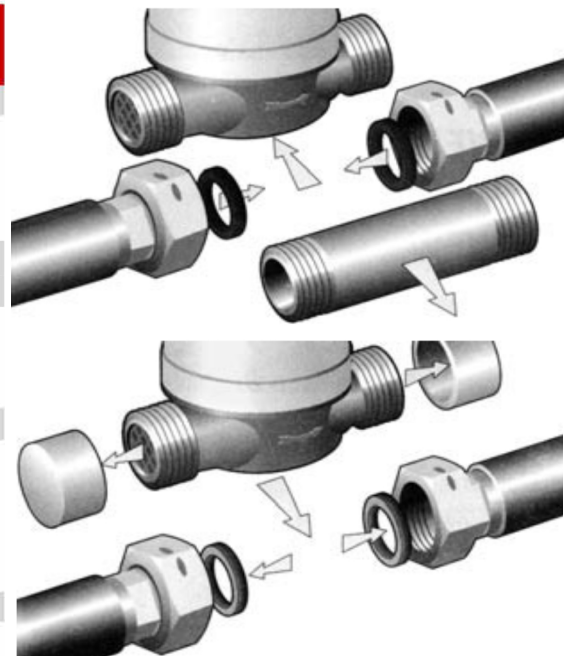
- Local plumbing codes and regulations must be followed for water meter use and installation.
- Must be installed horizontally with the meter face pointing upwards.
- A 1-1/2" length of straight pipe "settling path" is required just upstream of the water meter.
- All sediment must be flushed out through a spacer pipe before meter installation.
- Install the meter in an easily accessible area after the shut off valve.
- Must be accessible for manual readings, repair and/or replacement.
- The flow indicator arrow stamped on the water meter body must be installed in the direction of water flow.
- Meter couplings are required for water meter installations and are available separately.
- Meter register may be turned 360 degrees for easier reading .
- Do not carry or support the meter by cable or wire.
- Indoor installation only.



Different Applications:

- Apartments
- Condominiums
- Commercial Buildings
- Assisted Living Communities
- Manufacturing Facilities

Connection Size	Std. ANSI/ASME b1.20.1-1983 1-11.5 SNPSM thread 5/8 x 3/4 in. ID
Dimensions:	
Mounting length	5.12 in.
Width	2.50 in.
Height	3.15 in.
Weight	1.35 lb.
Water Temperature Range:	40° F to 120° F
Meter Register:	
Maximum reading	9,999,999 US gal.
Resolution (digit register)	1 US gal.
Resolution (indicator dial)	0.05 US gal.
Reed Switch:	
Type	Dry contact
Contact rating	100 mA max.
Resolution	1 contact closure per 1 US gal.
Duty cycle	0.7 gal. open/0.3 gal. closed (typ.)
Cable length (2-wire)	59 inches
Pressure Drop:	
At 22.02 gpm	< 14.50 PSI (typ. <8.70 PSI)
At 11.01 gpm	< 3.625 PSI



Accuracy	AWWA Spec	Minomess 130
Minimum flow (0.25-1 gpm)	95-101.5%	97-103%
Normal flow (1-20 gpm)	98.5-101.5%	98.5-101.5%
Safe maximum operating capacity	20 gpm	22.02 gpm

(AWWA specification shown for comparison)

Minomess 130

with Reed Switch for Cold Water

3/4" METER COUPLING

MINOMESS 130 METER

2.625" REF
2.50"
.125"

NUT

3/4" MIPT MALE IRON PIPE THREAD

GASKET

TAIL PIECE

5.12" (130mm)

10.37" REF

NOTES:
1) EACH 3/4" METER COUPLING ADDS APPROXIMATELY 2.625"L WHEN YOU INCLUDE THE .125" THICK GASKET

SIGNATURE & DATE		MINOMESS 130 METER WITH TWO STANDARD 3/4" METER COUPLINGS	ZENNER PERFORMANCE 1910 E. WESTWARD AVE BANNING, CALIFORNIA 92220
DR	S. PALLUTH 02/11/13		
CHK			
PE			
APPD			
SCALE	1 : .6 WT	MINOMESS 130	DWG SIZE
			SHEET OF

3/4" METER COUPLING

MINOMESS 130 TUBE SPACER

2.625" REF
2.50"
.125"

NUT

3/4" MIPT MALE IRON PIPE THREAD

GASKET

TAIL PIECE

5.12" (130mm)

10.37" REF

NOTES:
1) EACH 3/4" METER COUPLING ADDS APPROXIMATELY 2.625"L WHEN YOU INCLUDE THE .125" THICK GASKET

SIGNATURE & DATE		MINOMESS 130 TUBE SPACER WITH TWO STANDARD 3/4" METER COUPLINGS	ZENNER PERFORMANCE 1910 E. WESTWARD AVE BANNING, CALIFORNIA 92220
DR	S. PALLUTH 03/04/14		
CHK			
PE			
APPD			
SCALE	1 : .6 WT	MINI30-TUBE-INSTALL	DWG SIZE
			SHEET OF

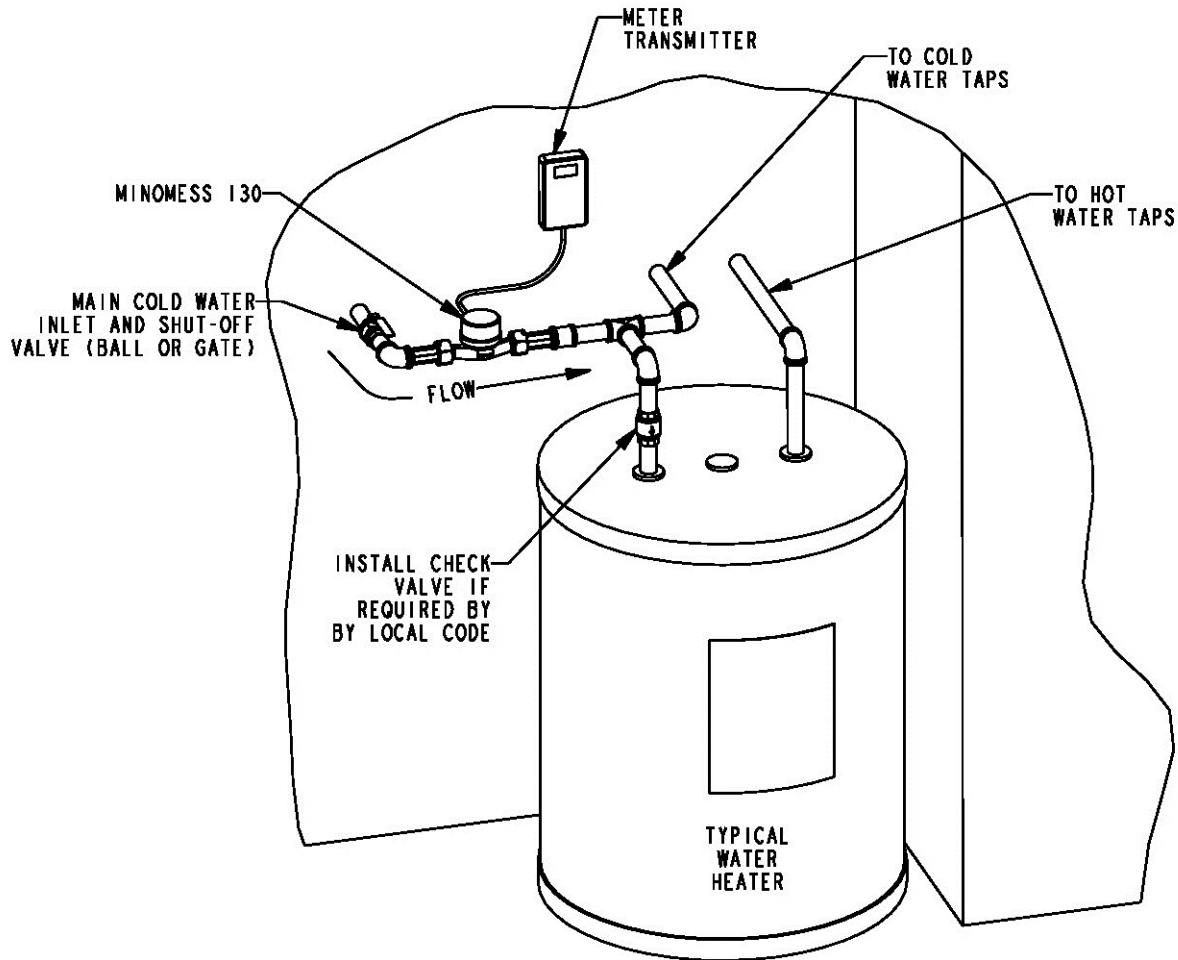
CONTACT US Phil Neeves
National Director of
Multifamily Solutions

15280 Addison Rd., Suite 100
Addison, TX 75001
pneeves@minolusa.com

Mobile: (719) 304-4111
Fax: (877) 791-4760
www.minolusa.com

Minomess 130

with Reed Switch for Cold Water



Notes:

1. Cut cold water pipe and insert idler tube and meter couplings.
2. Install meter, after water heater is installed and pipes are flushed.
3. Mount meter in direction shown.
4. DO NOT carry or support meter by cable!
5. Meter must remain accessible for manual reading, repair and replacement.
6. The plumber is responsible for providing the transition fittings for connection to the threaded meter couplings.
7. The meter couplings and the idler tubes are to be installed by the plumber, during plumbing rough in.

Available From:

Minol
Powered by **Brunata**

CONTACT US

Phil Neeves
National Director of
Multifamily Solutions

15280 Addison Rd., Suite 100
Addison, TX 75001
pneeves@minolusa.com

Mobile: (719) 304-4111
Fax: (877) 791-4760
www.minolusa.com